

Estd. 1994

TOTAL SECURITY SOLUTIONS

**OTHER PRODUCTS**

**Security :**

**STAND ALONE ALARMS**

"HOME COP" Door Burglary Alarm

"SHUTTER COP" Shutter Alarm.

**WIRELESS BURGLARY ALARM**

Wireless system for home.

4 Zone Wireless system.

Industrial wireless system.

Wireless Fire Detection System.

Wireless Addressable

Fire Detection System

Expendable Range Wireless System.

Wireless Panic Alarm System.

**WIRELESS SYSTEM ACCESSORY**

Wireless door sensor.

Wireless Shutter Sensor.

Wireless P.I.R. Sensor.

Wireless Smoke Detector.

Wireless Addressable Smoke Detector.

Wireless Hooter.

Wireless Repeater.

**ELECTRONIC CASH CARRYING BAGS**

**ELECTRONIC SAFE**

**METAL DETECTORS**

Hand-Held Metal Detector.

Door Frame Metal Detector.

**FAKE NOTE DETECTOR**

**Surveillance :**

Indoor Camera

Day-Night Indoor Camera

Day-Night Out Door Camera

IP Camera

High Speed Dome Camera

Spy Camera

Switchers / Amplifier / Multiplexer

Stand alone DVR

DVR Card

Video Door Phone

**Accessories :**

Electro Magnetic Door Lock

Door Strick

Wired Sensors.

**Automation :**

Remote switch

**Project Consultancy :**

Complete Security Consultancy

**WEB SITE :**

[www.hepl-india.com](http://www.hepl-india.com)

Email :

[sales@hepl-india.com](mailto:sales@hepl-india.com)

[response@hepl-india.com](mailto:response@hepl-india.com)

## Handheld Metal Detector



### HANDHELD METAL DETECTORS

- ? suitable for a wide range of security applications and exporters.
- ? 011 HHMD high sensitivity allow a search to be non-intensive and hands off by minimizing physical contact with the object.
- ? 011 HHMD suitable to scan the industries quality assurance company like garments, carpet & plastic sheet.

### TECHNICAL SPECIFICATIONS

- ? Detection : Detects all metals both ferrous and non-ferrous.
- ? Indication : Audio – visual indication through Red color LED and piezo buzzer.
- ? Construction – High impact resistant POLYMER RESIN FILLED PVC COATED SENSING HEAD, M.S POWDER COATED HANDLE.
- ? Overall dimensions – Length 395 mm max., length 260 mm min.(storage) Width 35 mm , height 25 mm , Dia search 140 mm.
- ? Sensitivity – Stapler pin
- ? Power – Standard 3.6 Volt rechargeable Ni-Mh battery coupled with electronic charger.

Estd. 1994

TOTAL SECURITY SOLUTIONS

**OTHER PRODUCTS**

**Security :**

**STAND ALONE ALARMS**

"HOME COP" Door Burglary Alarm

"SHUTTER COP" Shutter Alarm.

**WIRELESS BURGLARY ALARM**

Wireless system for home.

4 Zone Wireless system.

Industrial wireless system.

Wireless Fire Detection System.

Wireless Addressable

Fire Detection System

Expendable Range Wireless System.

Wireless Panic Alarm System.

**WIRELESS SYSTEM ACCESSORY**

Wireless door sensor.

Wireless Shutter Sensor.

Wireless P.I.R. Sensor.

Wireless Smoke Detector.

Wireless Addressable Smoke Detector.

Wireless Hooter.

Wireless Repeater.

**ELECTRONIC CASH CARRYING BAGS**

**ELECTRONIC SAFE**

**METAL DETECTORS**

Hand-Held Metal Detector.

Door Frame Metal Detector.

**FAKE NOTE DETECTOR**

**Surveillance :**

Indoor Camera

Day-Night Indoor Camera

Day-Night Out Door Camera

IP Camera

High Speed Dome Camera

Spy Camera

Switchers / Amplifier / Multiplexer

Stand alone DVR

DVR Card

Video Door Phone

**Accessories :**

Electro Magnetic Door Lock

Door Strick

Wired Sensors.

**Automation :**

Remote switch

**Project Consultancy :**

Complete Security Consultancy

**WEB SITE :**

[www.hepl-india.com](http://www.hepl-india.com)

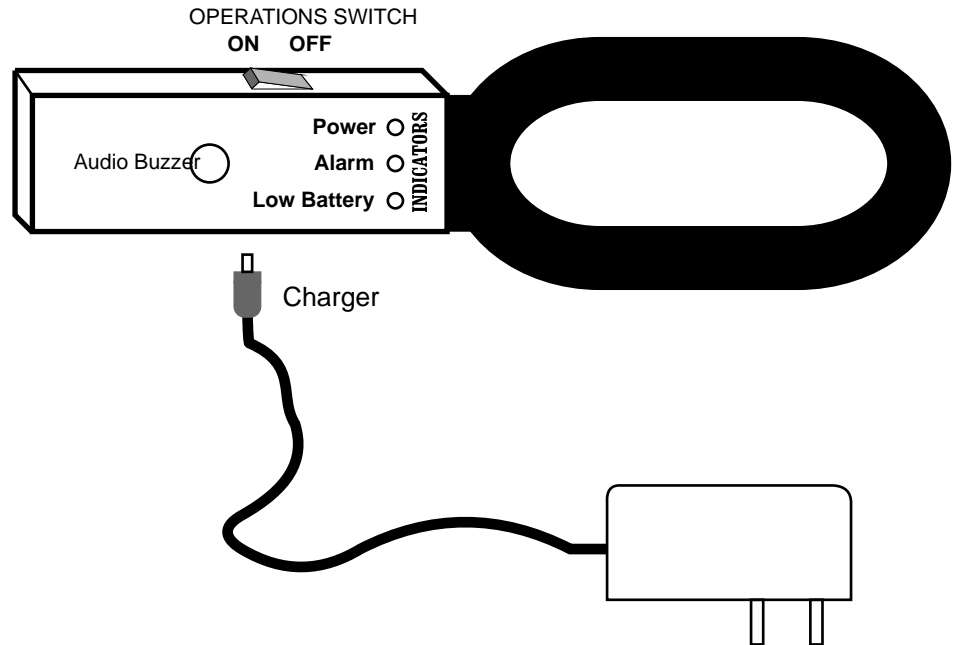
Email :

[sales@hepl-india.com](mailto:sales@hepl-india.com)

[response@hepl-india.com](mailto:response@hepl-india.com)

# Handheld Metal Detector

## Model - Hm102



**General Feature**

Design for low enforcement Security & Policing.

Detect all Metals, Both FERROUS & NON FERROUS.

Highly Sensitive & Auto Tune to every applications.

Working temp. -10°C to +55°C

**Technical Specifications.**

DETECTION	Detect all metals, both ferrous & non ferrous.
INDICATIONS	Detector on ( PWR ) Low battery ( L-BAT ) Metal Detected ( ALM )  Buzzer 90dB
CONSTRUCTION	Polymer resin filled, PVC coated search head & Powder coted metal cabinet
DIMENSIONS	L=410mm : W=55mm : H=32mm
SENSITIVITY	Paper Pin (1cm )
BATTERY	3.6 Volts Ni-cd Rechargeable
WEIGHT	500 Gm.
POWER SUPPLY	CONSTANT CURRENT CONSTANT VOLTAGE SMPS